

D600-CR Curve LED downlight Datasheet

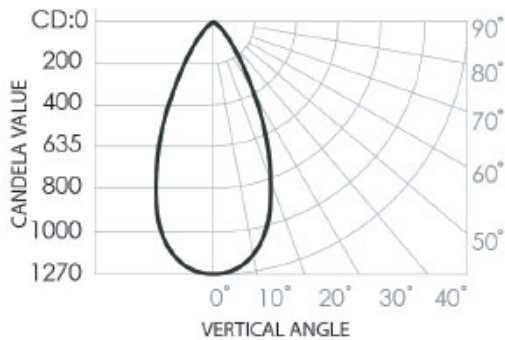


Product codes

Unit: D600	Series: CR	Colour temp.: 3K 4K	Beam angle (°): 55	Colour: W (White)
----------------------	----------------------	----------------------------------	------------------------------	-----------------------------

Photometrics

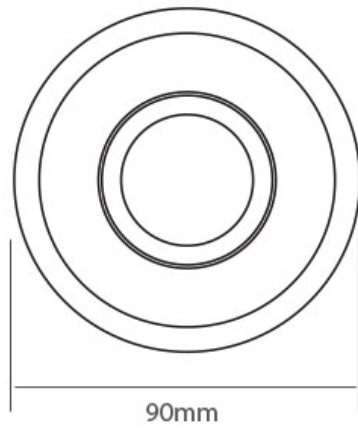
Standard Products



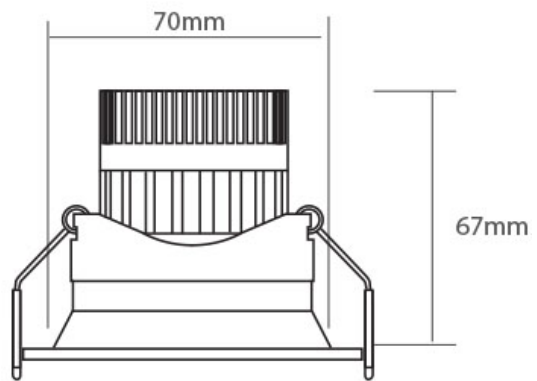
Source lumen output: 600lm
Delivered lumen: 560lm
Efficacy: 80lm/W
Colour temp.: 3000K
Beam angle: 55°
CRI: 95 (R9=67)
Standard Deviation of colour matching (SDCM): 2MacAdams Steps

Dimensions (mm)

Front view



Side view



Electrical

Input voltage: 220-240V	Power usage: 7W	Driver power factor: 0.9	IP rating: IP44	AC Cable length: 0.4m
Dimmable: Brightgreen RODI.TR-400W	DC Cable Length: 0.3m			

Operational

Ambient temp.: -28 to 60°C	Lifetime L70, B10: 50,000 hrs (@TA25)	Thermal rating: IC-4	Source Lumens: 620lm or 600lm	SDCM: 2MacAdam Steps
--------------------------------------	---	--------------------------------	---	--------------------------------

Physical

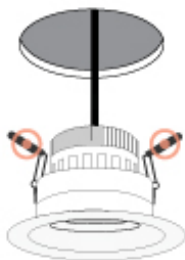
Gimbal angle: 16°	Warranty: 3 years
-----------------------------	-----------------------------

Installation



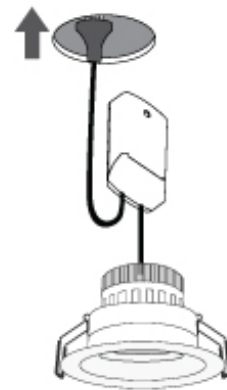
Step 1

Using a 75 mm hole saw, cut a hole in the ceiling at the desired location.



Step 3

Pull back the springs and insert the luminaire into the ceiling cavity. This luminaire can be covered and abutted with insulation.



Step 2

Plug the driver into a mounted general power outlet (GPO) in the ceiling.



Step 4

Once the light is installed, orient the luminaire using its gimbal to focus the light as required.