

D900 Curve LED downlight

Datasheet

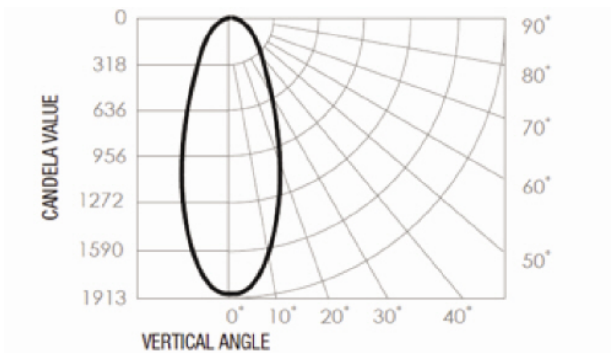


Product codes

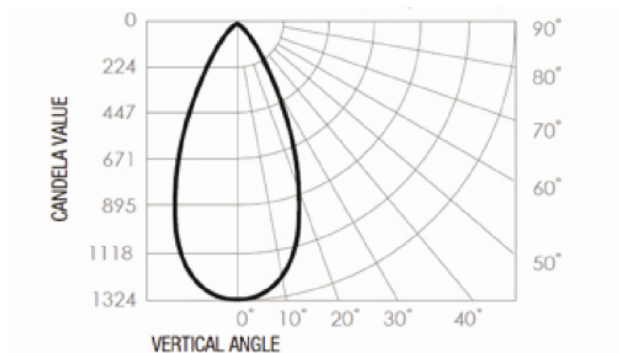
Unit:	Series:	Colour temp.:	Beam angle (°):	Colour:
D900	CR	1.8K.3.1K	24	S (Silver)
		2.7K	38	W (White)
		2.7K.6.5K	45	
		3K	55	
		4K		
		5K		

Photometrics

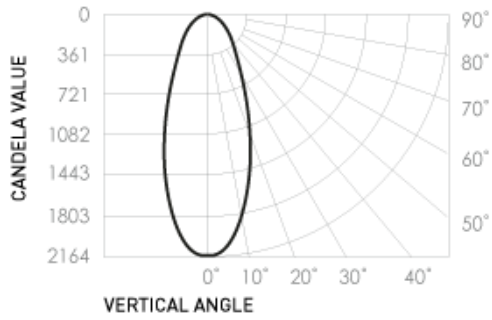
Standard Products



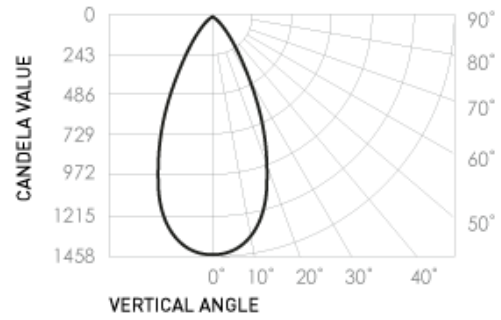
Source lumen output: 1290lm
 Delivered lumen: 1015lm
 Efficacy: 76lm/W
 Colour temp.: 3000K
 Beam angle: 45°
 CRI: 97
 SDMC: 2MacAdams Steps



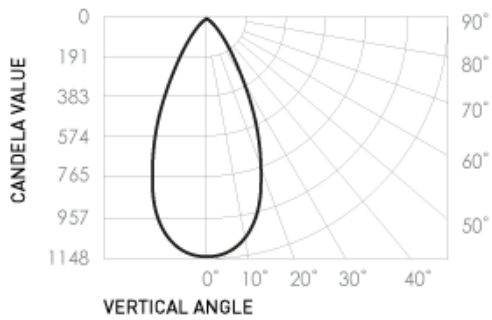
Source lumen output: 1290lm
 Delivered lumen: 1015lm
 Efficacy: 76lm/W
 Colour temp.: 3000K
 Beam angle: 55°
 CRI: 97
 SDMC: 2MacAdams Steps



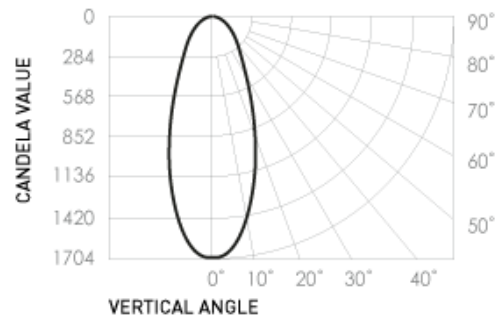
Source lumen output: 1315lm
 Delivered lumen: 1035lm
 Efficacy: 78lm/W
 Colour temp.: 4000K
 Beam angle: 45°
 CRI: 97
 SDMC: 2MacAdams Steps



Source lumen output: 1315lm
 Delivered lumen: 1035lm
 Efficacy: 78lm/W
 Colour temp.: 4000K
 Beam angle: 55°
 CRI: 97
 SDMC: 2MacAdams Steps

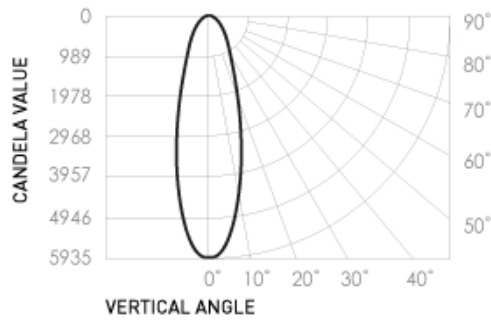


Source lumen output: 870lm
 Delivered lumen: 815lm
 Efficacy: 61lm/W
 Colour temp.: 1.8K-3.1K (Night Shift)
 Beam angle: 55°
 CRI: 97
 SDMC: 2MacAdams Steps



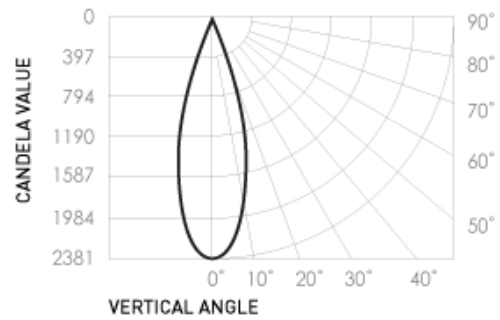
Source lumen output: 870lm
 Delivered lumen: 815lm
 Efficacy: 61lm/W
 Colour temp.: 1.8K-3.1K (Night Shift)
 Beam angle: 45°
 CRI: 97
 SDMC: 2MacAdams Steps

Special Order Products



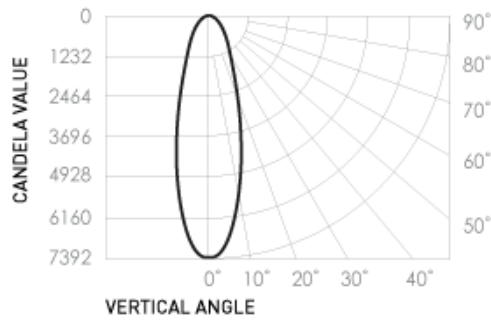
Source lumen output: 870lm
 Delivered lumen: 815lm
 Efficacy: 61lm/W
 Colour temp.: 1.8K-3.1K (Night Shift)
 Beam angle: 24 (Special Order)°
 CRI: 97

Standard Deviation of colour matching (SDCM): 2MacAdams Steps



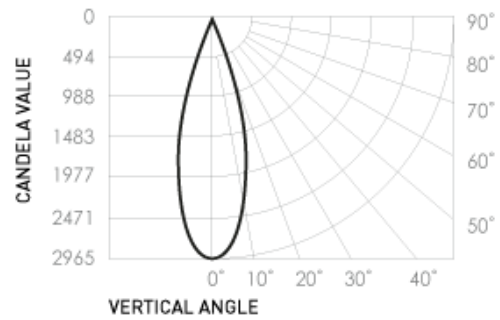
Source lumen output: 870lm
 Delivered lumen: 815lm
 Efficacy: 61lm/W
 Colour temp.: 1.8K-3.1K (Night Shift)
 Beam angle: 38 (Special Order)°
 CRI: 97

Standard Deviation of colour matching (SDCM): 2MacAdams Steps



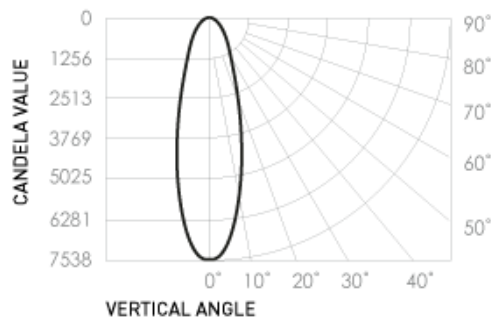
Source lumen output: 1290lm
 Delivered lumen: 1015lm
 Efficacy: 76lm/W
 Colour temp.: 3000K
 Beam angle: 24 (Special Order)°
 CRI: 97

Standard Deviation of colour matching (SDCM): 2MacAdams Steps



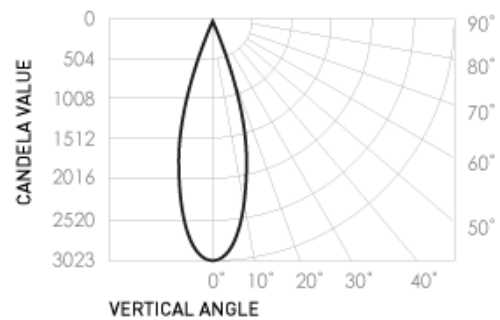
Source lumen output: 1290lm
 Delivered lumen: 1015lm
 Efficacy: 76lm/W
 Colour temp.: 3000K
 Beam angle: 38 (Special Order)°
 CRI: 97

Standard Deviation of colour matching (SDCM): 2MacAdams Steps



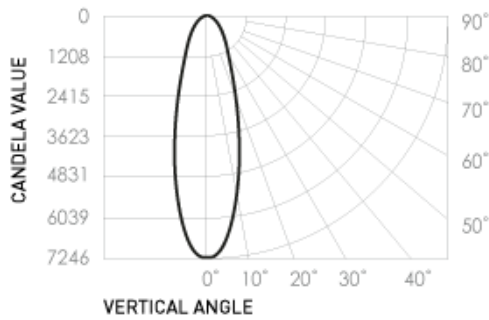
Source lumen output: 1315lm
 Delivered lumen: 1035lm
 Efficacy: 78lm/W
 Colour temp.: 4000K
 Beam angle: 24 (Special Order)°
 CRI: 97

Standard Deviation of colour matching (SDCM): 2MacAdams Steps



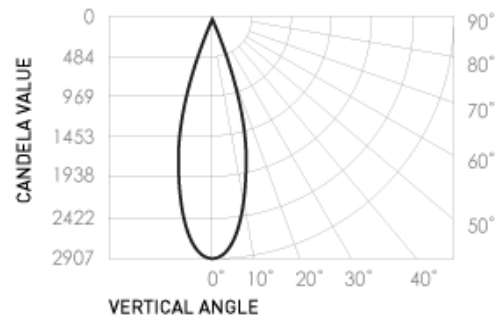
Source lumen output: 1315lm
 Delivered lumen: 1035lm
 Efficacy: 78lm/W
 Colour temp.: 4000K
 Beam angle: 38 (Special Order)°
 CRI: 97

Standard Deviation of colour matching (SDCM): 2MacAdams Steps



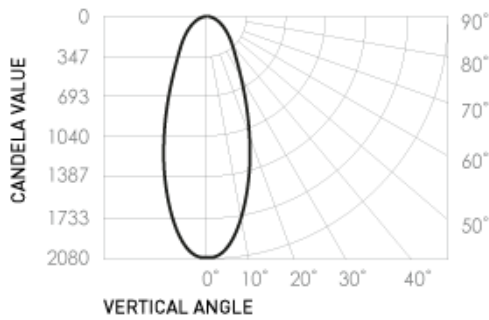
Source lumen output: 1265lm
 Delivered lumen: 995lm
 Efficacy: 75lm/W
 Colour temp.: 2700K (Special Order)
 Beam angle: 24 (Special Order)°
 CRI: 97

Standard Deviation of colour matching (SDCM): 2MacAdams Steps



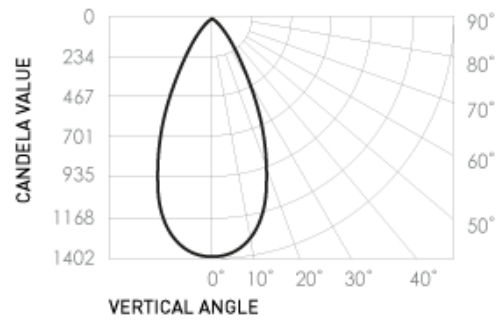
Source lumen output: 1265lm
 Delivered lumen: 995lm
 Efficacy: 75lm/W
 Colour temp.: 2700K (Special Order)
 Beam angle: 38 (Special Order)°
 CRI: 97

Standard Deviation of colour matching (SDCM): 2MacAdams Steps



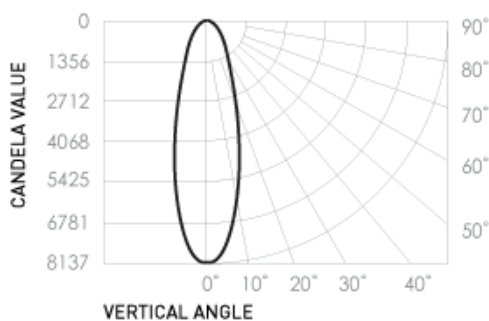
Source lumen output: 1265lm
 Delivered lumen: 995lm
 Efficacy: 75lm/W
 Colour temp.: 2700K (Special Order)
 Beam angle: 45°
 CRI: 97

Standard Deviation of colour matching (SDCM): 2MacAdams Steps



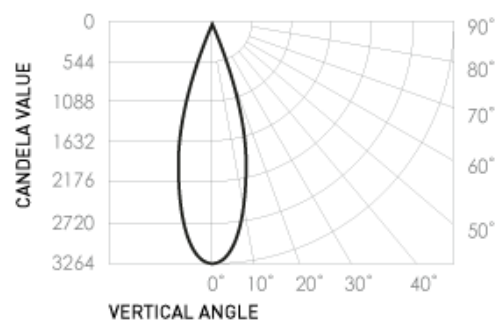
Source lumen output: 1265lm
 Delivered lumen: 995lm
 Efficacy: 75lm/W
 Colour temp.: 2700K (Special Order)
 Beam angle: 55°
 CRI: 97

Standard Deviation of colour matching (SDCM): 2MacAdams Steps



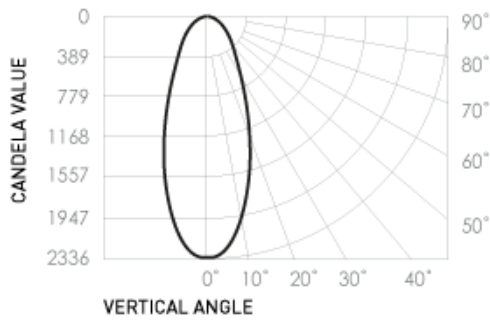
Source lumen output: 1420lm
 Delivered lumen: 1115lm
 Efficacy: 84lm/W
 Colour temp.: 2.7K - 6.5K (Dayshift)(Special Order)
 Beam angle: 24 (Special Order)°
 CRI: 97

Standard Deviation of colour matching (SDCM): 2MacAdams Steps



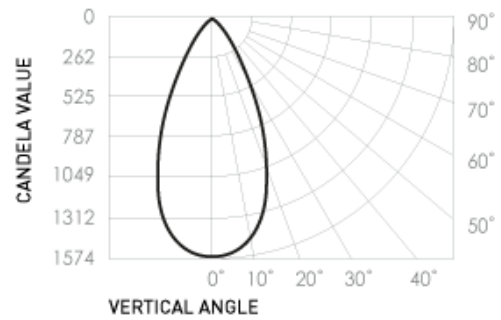
Source lumen output: 1420lm
 Delivered lumen: 1115lm
 Efficacy: 84lm/W
 Colour temp.: 2.7K - 6.5K (Dayshift)(Special Order)
 Beam angle: 38 (Special Order)°
 CRI: 97

Standard Deviation of colour matching (SDCM): 2MacAdams Steps



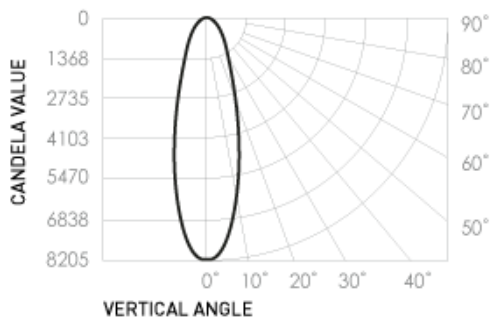
Source lumen output: 1420lm
 Delivered lumen: 1115lm
 Efficacy: 84lm/W
 Colour temp.: 2.7K - 6.5K (Dayshift)(Special Order)
 Beam angle: 45°
 CRI: 97

Standard Deviation of colour matching (SDCM): 2MacAdams Steps



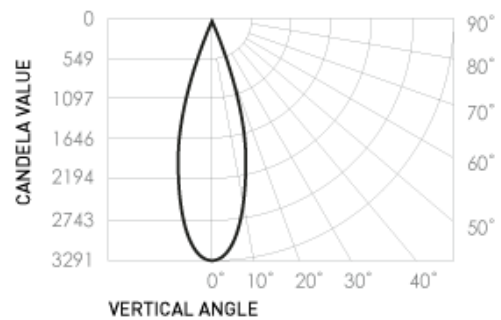
Source lumen output: 1420lm
 Delivered lumen: 1115lm
 Efficacy: 84lm/W
 Colour temp.: 2.7K - 6.5K (Dayshift)(Special Order)
 Beam angle: 55°
 CRI: 97

Standard Deviation of colour matching (SDCM): 2MacAdams Steps



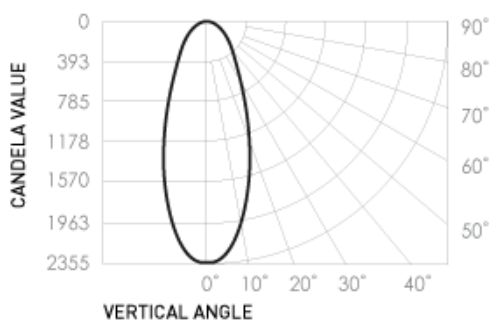
Source lumen output: 1430lm
 Delivered lumen: 1125lm
 Efficacy: 85lm/W
 Colour temp.: 5000K (Special Order)
 Beam angle: 24 (Special Order)°
 CRI: 97

Standard Deviation of colour matching (SDCM): 2MacAdams Steps



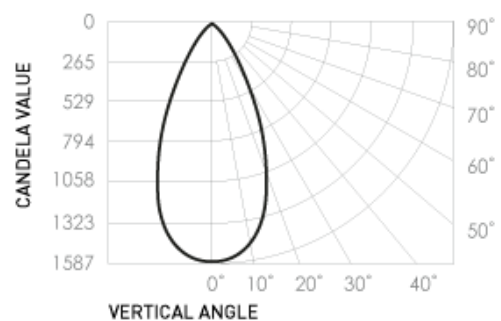
Source lumen output: 1430lm
 Delivered lumen: 1125lm
 Efficacy: 85lm/W
 Colour temp.: 5000K (Special Order)
 Beam angle: 38 (Special Order)°
 CRI: 97

Standard Deviation of colour matching (SDCM): 2MacAdams Steps



Source lumen output: 1430lm
 Delivered lumen: 1125lm
 Efficacy: 85lm/W
 Colour temp.: 5000K (Special Order)
 Beam angle: 45°
 CRI: 97

Standard Deviation of colour matching (SDCM): 2MacAdams Steps

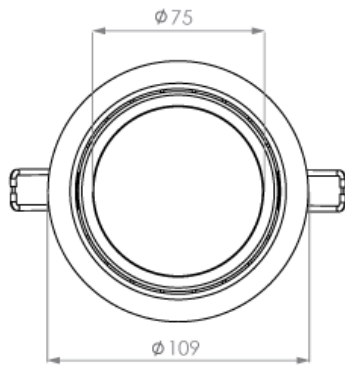


Source lumen output: 1430lm
 Delivered lumen: 1125lm
 Efficacy: 85lm/W
 Colour temp.: 5000K (Special Order)
 Beam angle: 55°
 CRI: 97

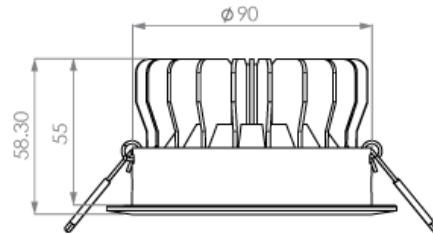
Standard Deviation of colour matching (SDCM): 2MacAdams Steps

Dimensions (mm)

Front view



Side view



Electrical

Input voltage: 220-240V	Power usage: 13.3W	Driver power factor: 0.88	IP rating: IP44	Surge protection: 3100V
AC Cable length: 1.5m	Dimmable: Yes	Driver: BG-018BSD-320mA	DC Cable Length: 0.3m	

Operational

Operating temp.: -30 to 81°C	Average temp.: 56°C	Ambient temp.: -28 to 70°C	Lifetime L70, B10: 70,000 hrs (@TA25)	Thermal rating: IC-4
Source Lumens: 1315lm or 870lm or 1290lm or 1265lm or 1420lm or 1430lm	SDCM: 2MacAdams Steps			

Physical

Weight: 472g	Gimbal angle: ±15°	Warranty: 7 years
------------------------	------------------------------	-----------------------------

Compatibility

Recommended Dimmers:

Compatible with leading home automation systems and dimmers.

Recommended Dimmers:

Universal, Trailing Edge, Leading Edge.

Dali option available on request.

*For more details please refer to:

<https://brightgreen.com/digital-driver>

All systems are unique, please

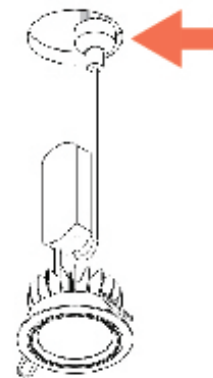
call 1300 672 499 for advice on your installation.

Installation



Step 1

Using a 95mm hole saw, cut a hole in the ceiling at the desired location.



Step 2

Plug the driver into a mounted general power outlet (GPO) in the ceiling.



Step 3

Pull back the springs and insert the luminaire into the ceiling cavity. This luminaire can be covered and abutted with insulation.



Step 4

Once the light is installed, orient the luminaire using its gimbal to focus the light as required.