

W500.IPS Cube LED wall surface Datasheet

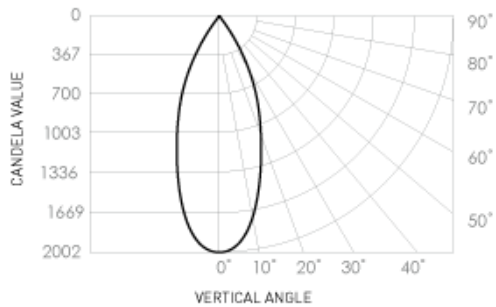


Product codes

Unit: W500.IPS	Series: CB	Colour temp.: 3K	Beam angle (°): 33	Colour: GM (Gun Metal)
--------------------------	----------------------	----------------------------	------------------------------	----------------------------------

Photometrics

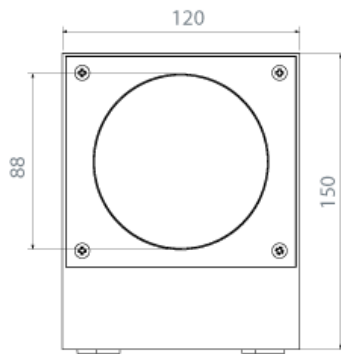
Standard Products



Source lumen output: 690lm
Delivered lumen: 570lm
Efficacy: 66lm/W
Colour temp.: 3000K
Beam angle: 33°
SDMC: 0MacAdams Steps

Dimensions (mm)

Front view



Side view



Electrical

Input voltage: 220-240V	Power usage: 8.7W	Driver power factor: 0.85	IP rating: IP54	Surge protection: Yes
Dimmable: No				

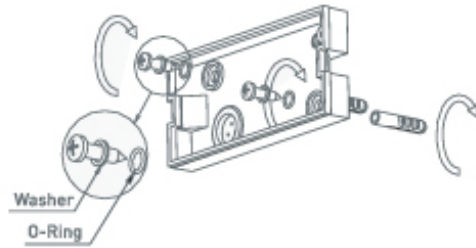
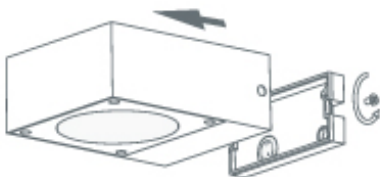
Operational

Average temp.: 65°C	Ambient temp.: -28 to 60°C	Lifetime L70, B10: 70,000 hrs (@TA25)	Source Lumens: 690lm
-------------------------------	--------------------------------------	---	--------------------------------

Physical

Gimbal angle: N/A	Warranty: 3 years
-----------------------------	-----------------------------

Installation



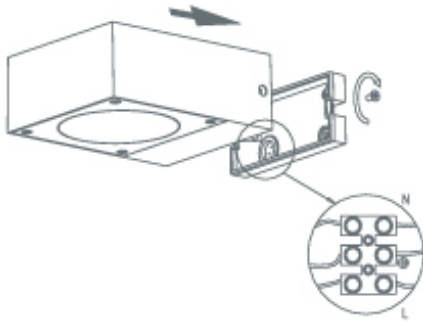
Step 1

Unscrew the grub screws from the sides of the luminaire housing to release the base plate.

Step 2

Thread the power cable through the base plate, use the base plate as a guide to drill 3 pilot holes for the wall plugs. Once wall plugs have been pressed into the wall fasten the base plate to the wall using the screws provided

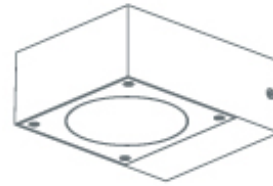
Installation



Step 3

Connect the mains power cable to the terminal block.

Position the luminaire housing back to base plate and secure by putting back the grub screws.



Step 4

Installation complete.